

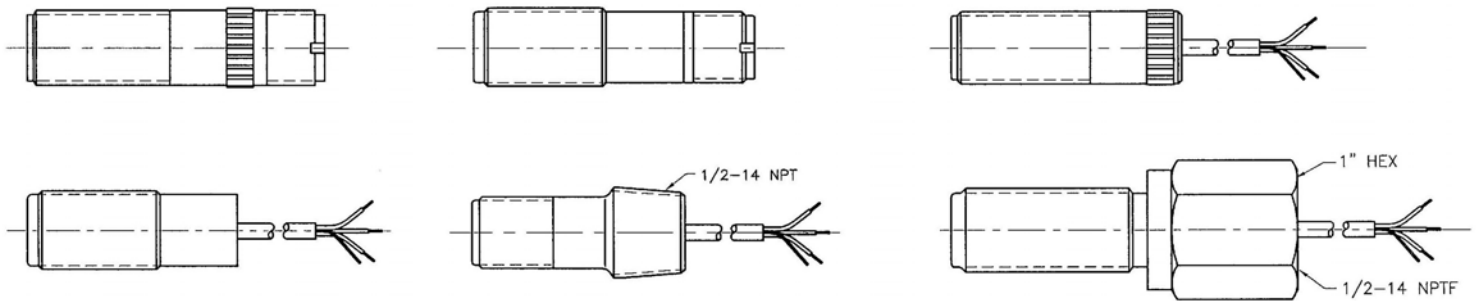
**DIGISPEC linear position sensors** are designed to detect continuous variations in the magnetic field and convert field strength to a proportional voltage. The output voltage produced for zero field is nominally 2.5v, with a standard transfer function of +/- 10 mV/Gauss. Magnetic sensitivity is along one axis only. Several units can be combined to measure (X, Y, Z) magnetic field vectors.

Custom ranges, output configurations, sensitivity and packaging are available on request. Intrinsically Safe linear position sensors are also available.

5/8 Thread Size: 5/8-18 UNF, 3/4-16, 3/4-20, M16x1.5, M18x1.5  
3/4 Length (L): 2.5" to 10" (64 to 250 mm)  
M16 Voltage Supply (Vs): 8 - 30 Vdc @ ≤ 5 mA  
M18 Pulse Out (Vo): 0.06 - 4.5 V typical

**0220 Series - Connector**

**0221 Series - Lead Wires**



Detailed specification sheets are available for each sensor listed; please contact Spectec for more information.